

Tough. Proven. Reliable. And under budget.

Box-style carcass joint improves impact resistance

"U-Channel" ribbing improves both vertical and horizontal deflections



The "Flex-Hinge" design is a completely protected hinge which contains no fiberglass or metal allowing for easy assembly and disassembly

High pressure injection molded, two-piece compression heat-welded base is the most durable base on the market

"T-slot" creates perfect alignment of sidewalls and absorbs vertical force and impact better

more >>>

miworldwide.com

Manufactured in the U.S.A. | 540-771-3077

MONOFLO
INTERNATIONAL

defining what comes next.



The most efficient and rugged bulk container on the market.

With over one million bulk containers manufactured to date, Monoflo has improved on its existing design making this second-generation bulk container the highest performing bulk container on the market.

Monoflo's re-engineered bulk container is more efficient too:

More containers per truck

The new 4844 footprint means that now 252 bulk containers can be shipped per 53' truck.

No loss of cube volume

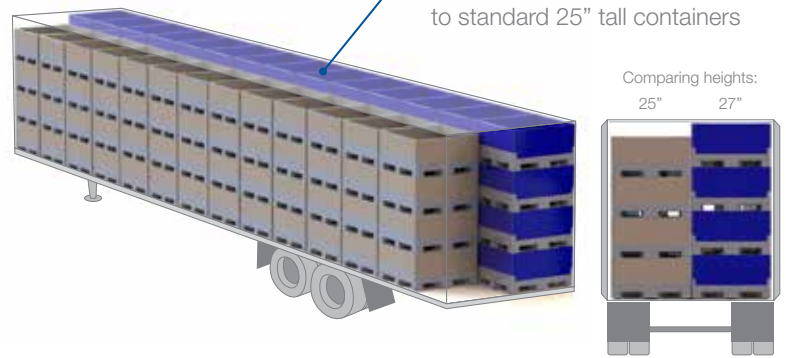
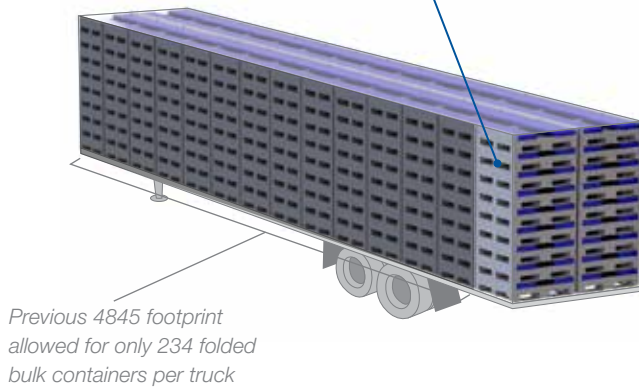
The second-generation AIAG approved bulk containers feature the same interior dimensions as traditional 4845 bulk containers.

More volume per truck

New 27" height provides 20% more load volume than traditional 25" high bulk containers.

Two additional rows of folded containers per 53' truck can now be shipped

Upright, 104 new 4844-27 bulk containers provide 20% more volume per 53' truck compared to standard 25" tall containers



Rear view showing increased volume based on new 27" tall bulk containers

Bulk Containers Specifications

Model	Outside Dimensions			Inside Dimensions			To Fill Line	Height Collapsed	Weight (lbs)	Volume (cubic feet)	Trailer Qty Collapsed
	L	W	H	L	W	H					
BC 3230-25	32.0	30.0	25.0	29.5	27.5	19.3	18.5	12.6	50	8.70	540
BC 3230-34	32.0	30.0	34.0	29.5	27.5	28.3	27.5	12.6	62	12.9	540
BC 4845-25	48.0	45.0	25.2	44.5	41.5	19.5	18.5	12.8	101	19.3	234
BC 4845-34	48.0	45.0	33.9	44.5	41.5	28.2	27.2	12.8	121	28.9	234
BC 4845-42 ¹	48.0	45.0	41.9	44.5	41.5	36.2	35.2	20.8	142	37.2	130
BC 4845-50 ¹	48.0	45.0	49.9	44.5	41.5	44.2	43.2	28.8	166	45.4	78
BC 4844-27 (New G2)	48.0	44.5	27.0	44.5	41.5	21.2	20.2	12.5	102.0	21.5	252
BC 4844-34 (New G2)	48.0	44.5	33.8	44.5	41.5	27.9	27.0	12.5	118.0	28.9	252
Bulk Container Lid	Detached covers are available for all bulk containers										

¹Height achieved by using the eight inch bulk container extended height collar system. This can be factory installed or retrofit installed in the field. Contact your Monoflo sales representative to discuss your application and maximum load ratings for all Monoflo products.

miworldwide.com

Manufactured in the U.S.A. | 540-771-3077

